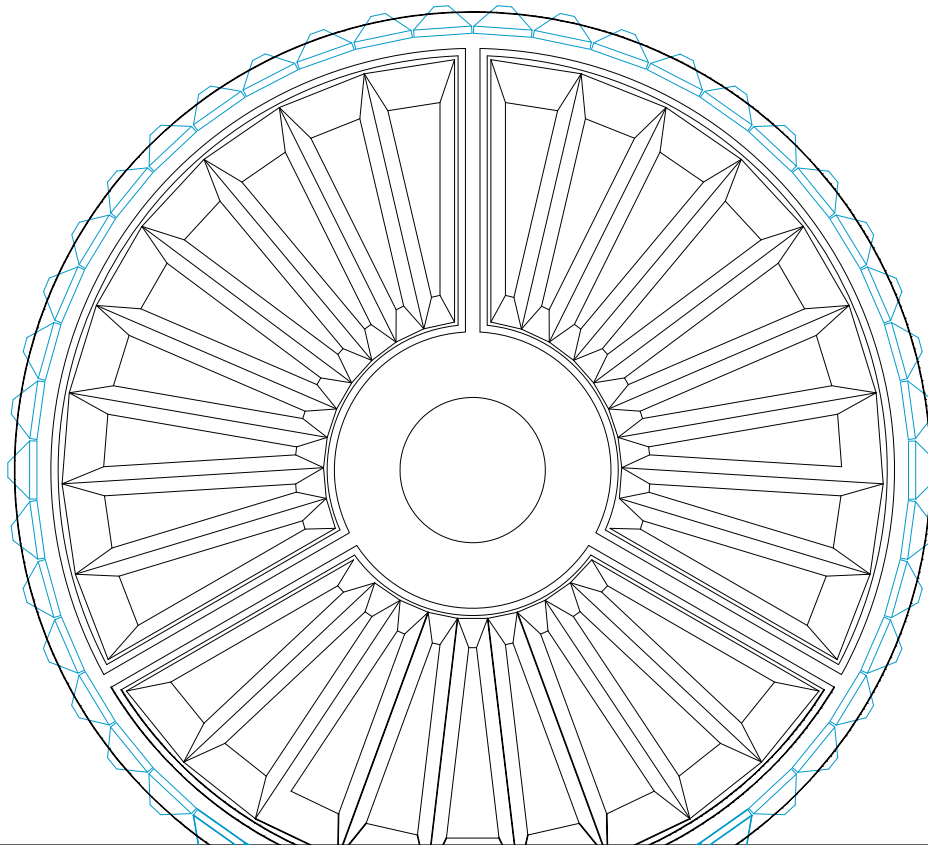
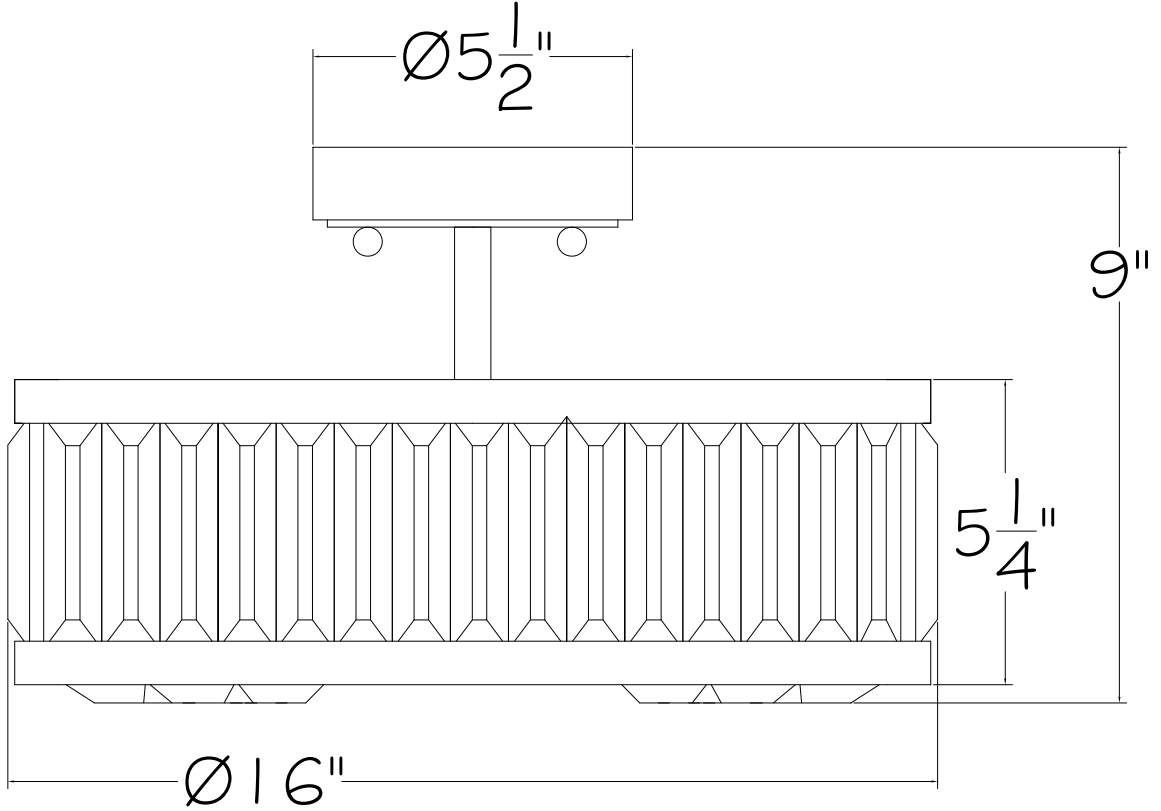


CUSTOMER REFERENCE DRAWING

REV.	ECN # IF APPLIC.	REVISION DESCRIPTION	REQD. BY	DRAFTER	DATE
1	NA	ORIGINAL RELEASED VERSION	NA	MMP	04/17/12
2	NA	UPDATE DIMENSIONS & CHANGE STATUS		HBD	10/24/12



Fine Art
L A M P S

The drawing and specifications are the exclusive property of BLUMBERG INDUSTRIES, INC. issued in strict confidence and shall not, without the prior written permission of BLUMBERG INDUSTRIES, INC., be produced, copied or used for any purpose whatsoever except the manufacture articles for FINE ART LAMPS.

5770-5772 Miami Lakes Dr. East / Miami Lakes, FL 33014
Ph: (305) 821-3850 FAX: (305) 821-1564

STYLE NUMBER: 815740ST

PART NUMBER: N/A

ASSY. INSTRUCTION TEMPLATE

DRAFTER: HBD

STYLE ENGINEER: DG

DATE: 10/24/12

REVISION: 1

SHEET: 1 / 1